

**SPECIALISING IN CUSTOM BUILT WHEELCHAIRS**

Name: \_\_\_\_\_ Deliver To: \_\_\_\_\_  
 Street: \_\_\_\_\_ Suburb: \_\_\_\_\_  
 State: \_\_\_\_\_ Postcode: \_\_\_\_\_ Contact Number: \_\_\_\_\_  
 E-mail: \_\_\_\_\_ Mobile Number: \_\_\_\_\_  
 Measured Date: \_\_\_\_\_ Production Date: \_\_\_\_\_ Completed Date: \_\_\_\_\_ Delivery Date: \_\_\_\_\_  
 Invoice Date: \_\_\_\_\_ Invoice No: \_\_\_\_\_ Serial No: \_\_\_\_\_

**TOTAL PRICE/QUOTE: \_\_\_\_\_**

***Please Tick Appropriate Box***

**CHAIR TYPE & PRICE**

- Prodigy Everyday (Custom rigid frame) ----- \$2695.00
- Prodigy Everyday (Custom folding frame) ----- \$2725.00
- Prodigy Custom frame ( \_\_\_\_\_ )--\$2825.00

**FRAME DIMENSIONS**

**Seat and Frame Width (mm)**

- 300  350  380  400  430  460  480
- 500  Custom (please specify width) \_\_\_\_\_

**Seat Upholstery Length (mm)**

- 300  350  380  400  430  460
- 480  Custom (please specify length) \_\_\_\_\_

**Seat Frame Length (mm)**

- Add 80 onto upholstery length  Add 100 onto upholstery length  Custom (please specify length) \_\_\_\_\_

**Tapered Seat**

- No  Yes (please specify amount.) \_\_\_\_\_

**SEAT HEIGHT**

**Front to Floor (mm) (Refer to A in diagram)**

- 530  500  480  450  420  Custom (please specify height) \_\_\_\_\_

**Rear to Floor (mm) (Refer to B in diagram)**

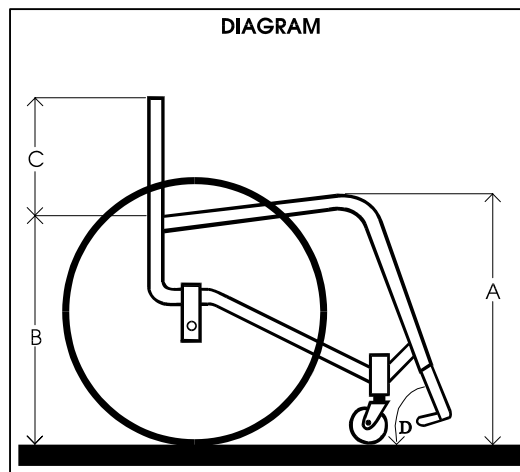
- 530  500  480  450  420  400  Custom (please specify height) \_\_\_\_\_

**BACK HEIGHT (mm) (Refer to C in diagram)**

- 200  250  300  350  400  450  500  Custom (please specify height) \_\_\_\_\_

**Back Options**

- Fold Down  Rigid  Adjustable Height (Please specify adjustment range) \_\_\_\_\_ to \_\_\_\_\_
- Angle (please specify in degrees) \_\_\_\_\_



**LOWER LEG LENGTH (mm)**

300  325  350  375  400  425  450  475  500  Custom (please specify length)\_\_\_\_\_

**FOOT PLATE OPTION**

Single plate  Plastic individual flip up  Adjustable (Please specify range)\_\_\_\_\_to\_\_\_\_\_ Custom  
\_\_\_\_\_

**LOWER FRONT FRAME WIDTH (mm)**

240  260  280  300  320  340  360  Custom (Please specify width)\_\_\_\_\_

**TOTAL LENGTH OF FRAME (mm) (backrest to front of footplate)**

550  575  600  625  650  675  700  Custom (Please specify length)\_\_\_\_\_

**FOOT PLATE WIDTH (mm)**

180  200  220  240  260  Custom (please specify width)\_\_\_\_\_

**FOOTPLATE LENGTH (mm)**

240  260  280  300  Custom (please specify length)\_\_\_\_\_

**WHEEL SIZE**

540mm (24")  559mm (25") (Additional \$95)  590mm (26") (Additional \$75)

**TYRE**

24" Long wear  26" Primo High Pressure (\$45)  Primo High Pressure(559/25"only)(\$55)  24" x 1 3/8" Block Tread  
 26" x 1 3/8" Block Tread  24" Solids (additional \$75)  26" Solids (additional \$75)  
 Custom (please specify)\_\_\_\_\_

**WHEEL CAMBER (degrees)**

5 (Std.)  Custom (please specify degrees)\_\_\_\_\_

**CASTER OPTIONS (mm)**

72mm Roller Blades  100mm Scooter/Roller blades  125 x 38mm Solid Urethane  150 x 38mm Pneumatic  
 150 x 38mm Solid (additional \$35)  175 x 25mm Solid Urethane  Custom (please specify)\_\_\_\_\_

**FRAME COLORS**

Pearl White  Metallic Silver  Lemon Yellow  Hawthorn Green  Flame Red  Candy Red or Blue(Additional \$55)  
 Space Blue  Black Onyx  Gloss Black  Other \_\_\_\_\_  Custom Color \_\_\_\_\_ (Additional \$55)

**COMPONENTS COLOR (specify from above list)\_\_\_\_\_**

Pearl Clear Finish (Additional \$55)  Additional Color (Additional \$55)\_\_\_\_\_

**UPHOLSTERY COLOR**

Black

**CUSHION OPTIONS (mm) (Additional \$125)**

25  50  75  100  Soft Density  Medium Density  Firm Density  None

**WHEEL LOCKS**

Low Mount (Push to lock)  High Mount (Push to lock)  Scissor action  None

**OPTIONAL EXTRAS**

<input type="checkbox"/> Removable arm rests	\$175.00	<input type="checkbox"/> Spoke Protectors	\$85.00
<input type="checkbox"/> Push Handles (welded or removable/adjustable)	\$75.00	<input type="checkbox"/> Calf Strap	\$45.00
<input type="checkbox"/> Rear Anti-tip Bars	\$145.00	<input type="checkbox"/> Seat Belt	\$55.00
<input type="checkbox"/> Side Guards	\$85.00	<input type="checkbox"/> Foot strap	\$5.00
<input type="checkbox"/> Side Guards (Fold down and flip back)	\$115.00	<input type="checkbox"/> Seat pouch	\$45.00
		<input type="checkbox"/> Back pack	\$65.00

**Specifications:**

Approximate weight ----- 8.5-10.5 kg's (Depending upon size and options)  
Approximate size (rigid frame) --- 600mm wide x 650mm long x 400mm height (folded back)  
Frame construction ----- Chome-moly or Aluminium  
Upholstery material ----- 1000 Denier Cordura and Suede  
Welding type ----- Tig

**NOTES:**  
\_\_\_\_\_

<b>Price:</b>	_____
<b>Options:</b>	_____
	_____
	_____
	_____
	_____
<b>Freight:</b>	_____
<b>GST:</b>	_____
<b>TOTAL:</b>	_____