

**SPECIALISING IN CUSTOM BUILT WHEELCHAIRS**

Name: \_\_\_\_\_ Deliver To: \_\_\_\_\_

Street: \_\_\_\_\_ Suburb: \_\_\_\_\_

State: \_\_\_\_\_ Postcode: \_\_\_\_\_ Contact Number: \_\_\_\_\_

E-mail: \_\_\_\_\_ Mobile Number: \_\_\_\_\_

Measured Date: \_\_\_\_\_ Production Date: \_\_\_\_\_ Completed Date: \_\_\_\_\_ Delivery Date: \_\_\_\_\_

Invoice Date: \_\_\_\_\_ Invoice No: \_\_\_\_\_ Serial No: \_\_\_\_\_

**TOTAL PRICE/QUOTE:** \_\_\_\_\_

**Please Tick Appropriate Box**

**CHAIR TYPE & PRICE**

Moonraker beach buggy ----- \$6895.00

**FRAME DIMENSIONS**

**Seat and Frame Width (mm)**

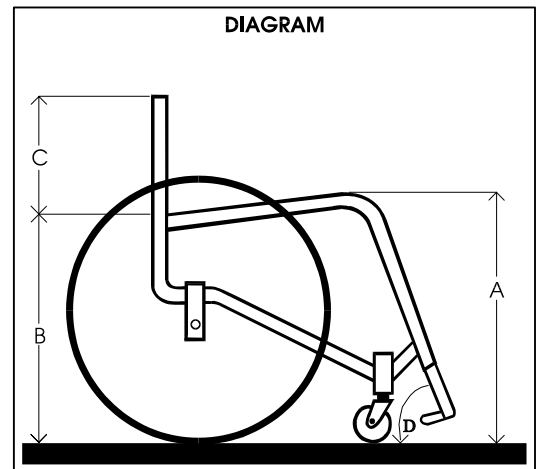
300  350  380  400  430  460  480  
 500  Custom (please specify width) \_\_\_\_\_

**Seat Upholstery Length (mm)**

300  350  380  400  430  460  
 480  Custom (please specify length) \_\_\_\_\_

**Seat Frame Length (mm)**

Add 80 onto upholstery length  Add 100 onto upholstery length   
Custom (please specify length) \_\_\_\_\_



**SEAT HEIGHT**

**Front to Floor (mm) (Refer to A in diagram)**

590  550  510  470  430  390  Custom (please specify height) \_\_\_\_\_

**Rear to Floor (mm) (Refer to B in diagram)**

560  530  490  460  430  390  Custom (please specify height) \_\_\_\_\_

**BACK HEIGHT (mm) (Refer to C in diagram)**

300  350  400  450  500  Custom (please specify height) \_\_\_\_\_

**Back Options**

Rigid  Fold Down (additional \$125)  
 Adjustable Height ( additional \$95) (Please specify adjustment range) \_\_\_\_\_ to \_\_\_\_\_  
Angle (please specify in degrees) \_\_\_\_\_

**LOWER LEG LENGTH (mm)**

300  325  350  375  400  425  450  475  500  Custom (please specify length)\_\_\_\_\_

**FOOT PLATE OPTION**

Single plate  Adjustable (please specify range)\_\_\_\_\_to\_\_\_\_\_ Custom \_\_\_\_\_

**LOWER FRONT FRAME WIDTH (mm)**

240  260  280  Custom (please specify width)\_\_\_\_\_

**TOTAL LENGTH OF FRAME (mm) (backrest to front of footplate)**

680  720  760  800  840  Custom (please specify length)\_\_\_\_\_

**FOOT PLATE WIDTH (mm)**

180  200  220  Custom (please specify width)\_\_\_\_\_

**FOOTPLATE LENGTH (mm)**

240  260  Custom (please specify length)\_\_\_\_\_

**WHEEL SIZE (Rear)**

490mm (std) Balloon tire

**WHEEL SIZE (Front)**

300mm (std) Balloon tyre

**FRAME COLORS**

Raw finish  Space Blue  Lemon Yellow  Hawthorn Green  Flame Red  
 Other \_\_\_\_\_

Clear Finish (additional \$35)  Additional Color (additional \$35)\_\_\_\_\_

**UPHOLSTERY COLOR**

Green  Blue

**CUSHION OPTIONS (mm)**

25  50  75  100  Soft Density  Medium Density

**OPTIONAL EXTRAS**

|  |          |  |         |
|--|----------|--|---------|
| <input type="checkbox"/> Push handles            | \$85.00  | <input type="checkbox"/> Seat belt               | \$35.00 |
| <input type="checkbox"/> Rear anti-tip bar       | \$95.00  | <input type="checkbox"/> Seat pouch (Vinyl)      | \$40.00 |
| <input type="checkbox"/> Side guards (aluminium) | \$75.00  | <input type="checkbox"/> Back pack (Vinyl)       | \$70.00 |
| <input type="checkbox"/> Rear anti-tip wheel     | \$145.00 | <input type="checkbox"/> Safety Flag             | \$30.00 |
| <input type="checkbox"/> Calf strap              | \$30.00  | <input type="checkbox"/> Drink bottle and holder | \$35.00 |
| <input type="checkbox"/> Fishing rod holder      | \$45.00  |  |         |

**Specifications:**

Frame construction ----- Stainless Steel  
 Upholstery material ----- Vinyl and Sea Breeze waterproof mesh  
 Flip back Arm rests -----Standard  
 Welding type ----- Tig  
 Components (Nuts, bolts, bearings etc)--- Stainless steel  
 Motors ----- 4 Pole Heavy duty  
 Controllers and electrics ----- Dynamic DX series 5 speed  
 Batteries ----- Size 55 Sealed gel  
 Connectors ----- Waterproof

**NOTES:**

**Price:** \_\_\_\_\_

**Options:** \_\_\_\_\_

\_\_\_\_\_

\_\_\_\_\_

\_\_\_\_\_

\_\_\_\_\_

\_\_\_\_\_

\_\_\_\_\_

\_\_\_\_\_

\_\_\_\_\_

**Freight:** \_\_\_\_\_

**GST:** \_\_\_\_\_

**TOTAL:** \_\_\_\_\_